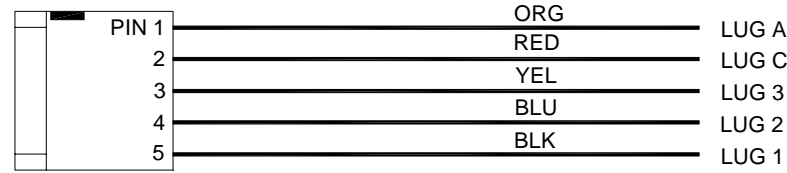
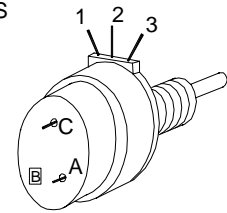


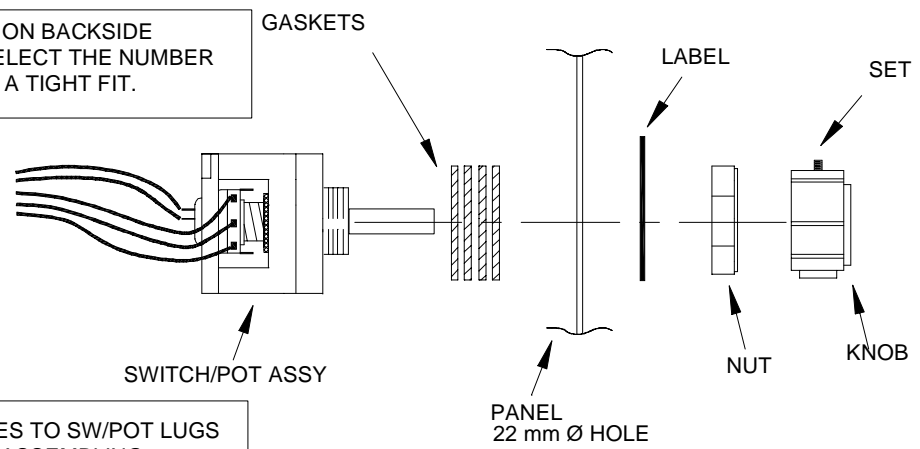
WIRE COLORS



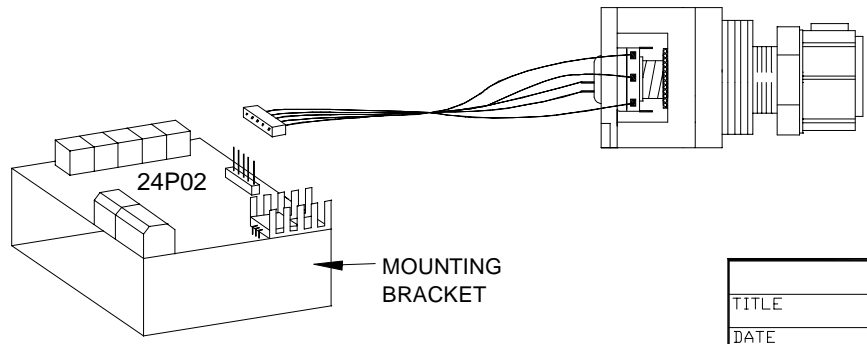
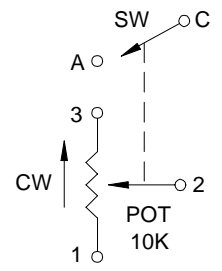
SOLDER WIRES TO SW/POT LUGS



MOUNT GASKETS ON BACKSIDE OF THE PANEL. SELECT THE NUMBER OF GASKETS FOR A TIGHT FIT.



SOLDER WIRES TO SW/POT LUGS WITHOUT DISASSEMBLING SWITCH/POT ASSY.



<i>DITCO</i>		
TITLE	SW/POT ASSY	
DATE	2-26-03	BY jmb
DRW NO	RP101M1A	