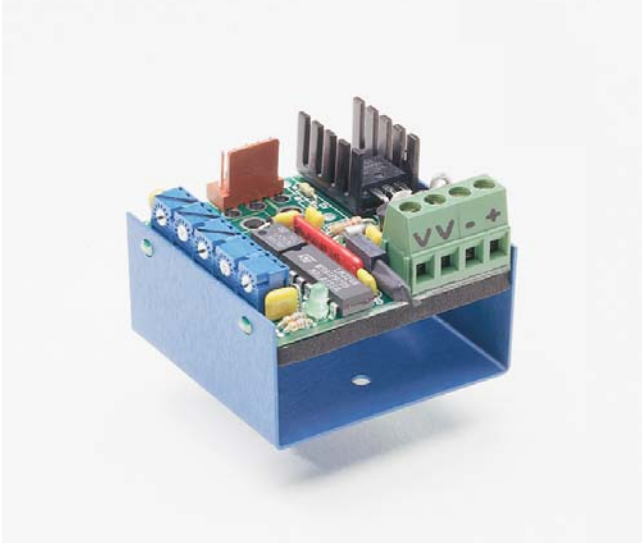


24P02 single valve controller - remote mount version -



- ❑ **Compact design**
... ideal for difficult remote locations
- ❑ **Field adjustable**
... easy to adjust, works with any valve
- ❑ **Low cost**
... fast, economical solution
- ❑ **Reliable design**
... efficient, cool operation

The 24P02 is a simple solution for remoting the control knob from the 24P01 valve driver. The 24P02 is the same full featured control for driving single acting proportional valve coils. The valve driver develops an adjustable pulse width modulated output in direct response to the front panel knob position. The compact design requires minimal panel space. The alum. cover is used as the mounting clip.

The 24P operates on standard DC power systems from 10 vdc to 32 vdc. Four trim pots. on the 24P allow individual adjustment of the PWM frequency, the minimum threshold, the maximum output and ramp timer. Each 24P02 comes with a pigtail connector for remoting the switch/pot. Refer to the RP101 and RP102 remote switch/pot. assemblies designed specifically for remote operation.

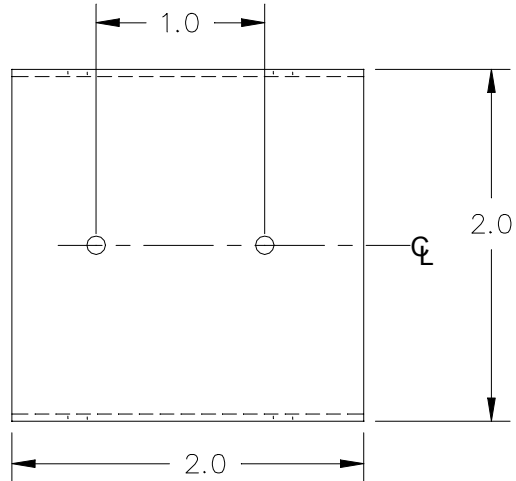
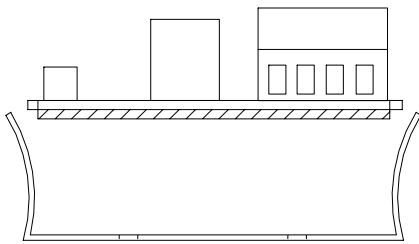
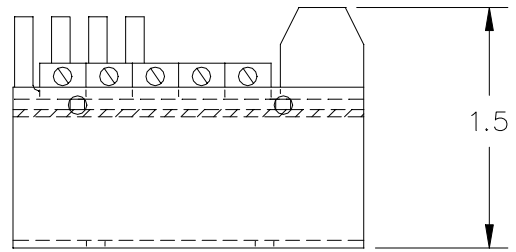
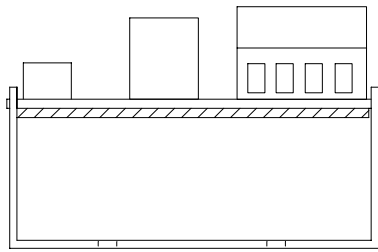
There are a wide range of applications where the variable output of the 24P provides direct drive for hydraulic flow control, such as: product pumps, material conveyors, feed and delivery augers, alternators, propulsion drives, lifts and many others.

One year warranty. ⁽¹⁾

Specification:

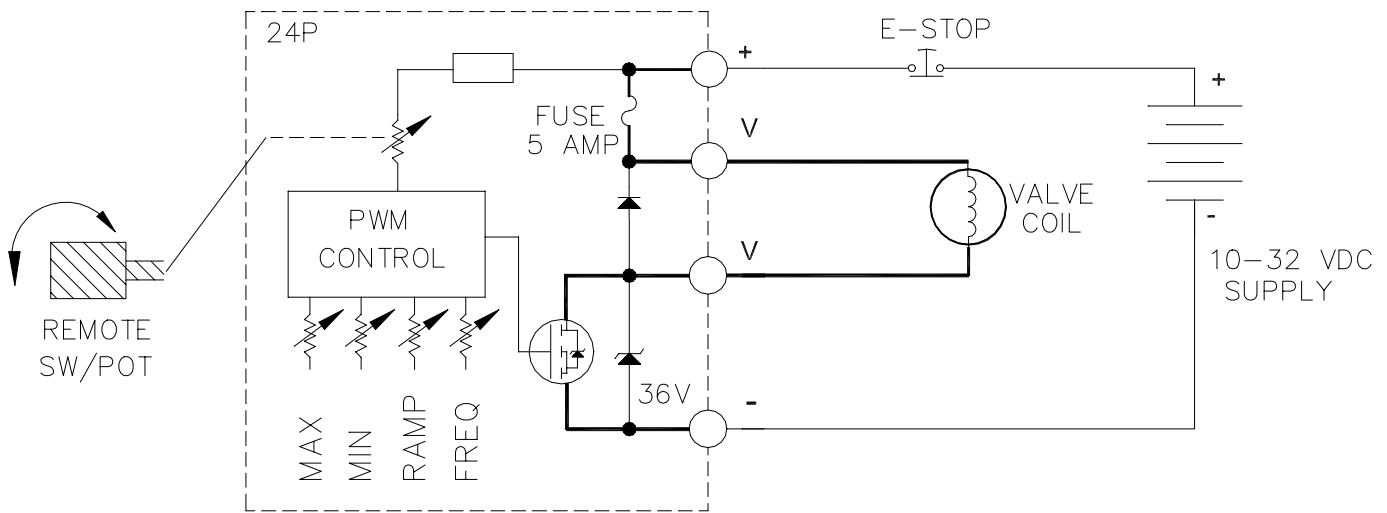
- ◆ Regulated 10 – 32 volts DC power
- ◆ -40 to +85C operation
- ◆ 2.5 amp PWM output, replaceable fuse, 5amp
- ◆ PWM frequency, adj. range 30 - 180 hertz
- ◆ Adjustable ramp timer, 0 - 5 seconds
- ◆ Adjustable output trims: min. range 5-80%, max. range 20-90%
- ◆ 5 pin connector with pigtail is provided for the remote switch/pot. connection.
- ◆ Output indicator, LED
- ◆ Screw terminal interface, 4 wire, up to 16 gauge
- ◆ Size, 1.9" x 1.9" x 1.2", clip mount

ALL DIMENSIONS ARE IN INCHES



REMOVE SPRING CLIP FOR EASY MOUNTING

ELECTRICAL



(1) FET DRIVE IS NOT WARRANTED. IMPROPER INSTALLATION CAN DAMAGE OUTPUT STAGE.